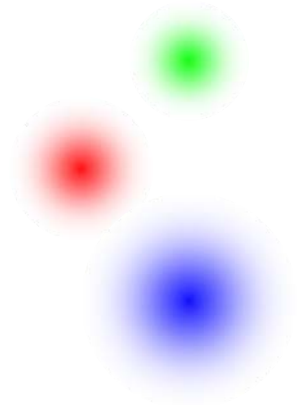


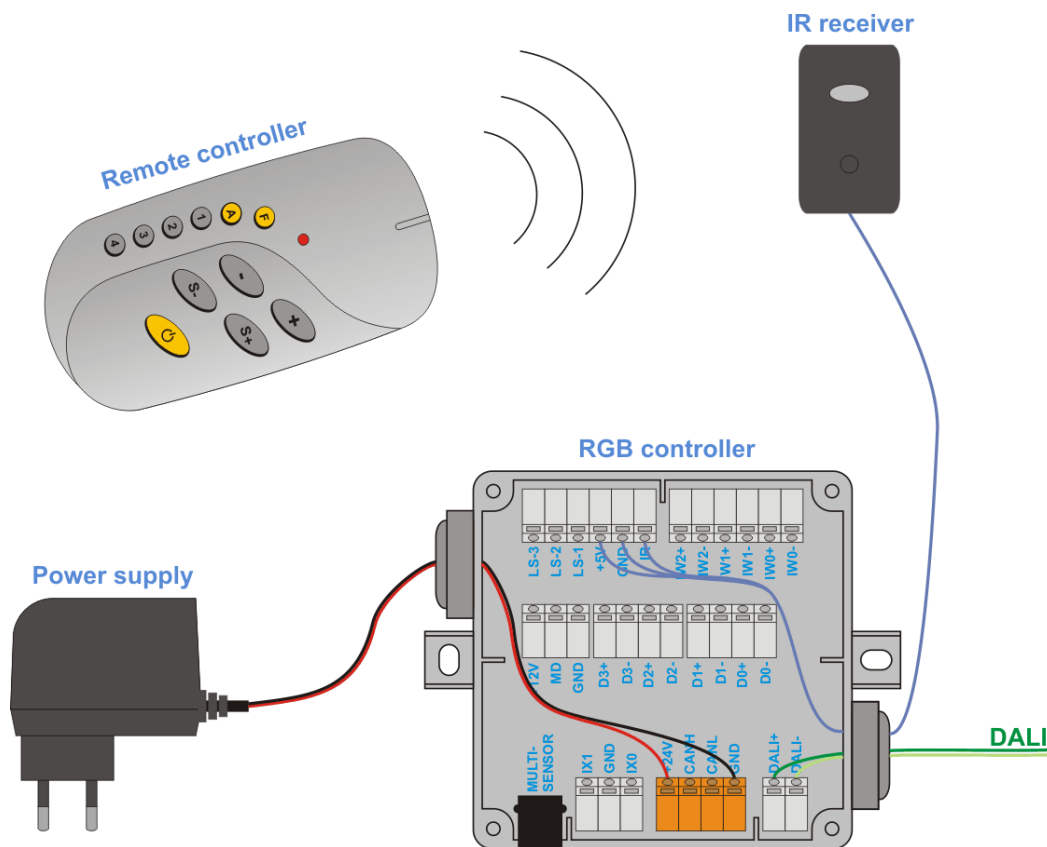
RGB Kit

Colors control pack

- prepared set for controlling RGB lights with DALI digital ballasts
- working as stand alone unit with all integrated functions already defined
- complete freedom when creating personal profile with:
 - changing colors softness with light step
 - colors number with color step
 - speed of color cycling
 - on/off fading
 - delaying power off
- RGB controller with DALI output
- full control with IR remote controller
- easy wiring with push-wire connectors



Connections



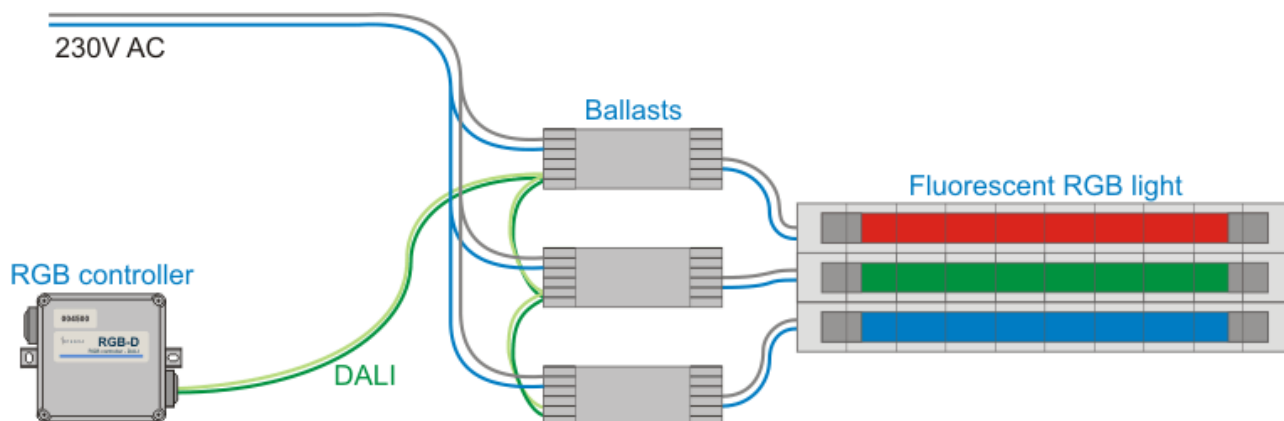
Included items

RGB controller
IR receiver
IR remote controller
230V / 24V power supply

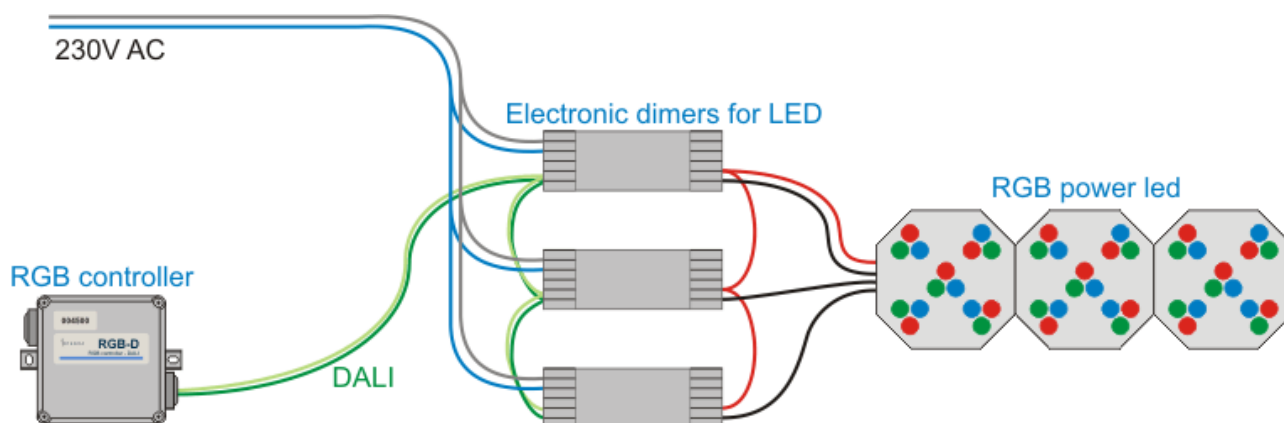
RGB-D-FB
IRR-OW
RE
PS-7

Connecting to lights

A: With fluorescent RGB lights



B: With RGB power led



Technical specifications

RGB controller

IW (3 analog inputs)

Range

0..10V (10 bit ADC, 0..1023)

Internal pull-up

12V, 2mA

IX (2 digital inputs)

Type

common-ground switch with internal pull-up

DALI output

Output current

max. 100mA

Ballasts

max. 32

Connectors for sensors

Multisensor (with IR receiver) or motion detector

Power supply

24V DC (with 230V / 24V power supply PS-7)

Power consumption

max. 150mA

Remote controller

Keys

11

Operating range

5m

Power supply

2 x LR03 AAA battery (included)

Ordering information

ORDER CODE:

RGB-D-KIT